




HAS04

FIRST

Wavefront sensor The Chameleon

On demand wavelength
High accuracy
Best cost performance ratio



 compatible



光貿易株式会社 〒113-0034 東京都文京区湯島3-13-8湯島不二ビル301
メール: contact@hikari-trading.com ウェブサイト: <http://www.hikari-trading.com>
TEL: 03-3832-3117 FAX: 03-3832-3118



HASO4 FIRST +

The HASO4 Shack-Hartmann Wavefront Sensor optimized for one wavelength, the one you really need.

The HASO4 FIRST is now faster and has an improved spatial resolution while keeping the same accuracy and optimized price point.



Compatible with the **Optical Engineer Companion** modular system: easily combine the accessories you need.

APPLICATIONS

Successfully used in the most demanding applications in optical metrology, microscopy, and laser diagnostics, the HASO4 FIRST performs multiple functions :

- + Quantify the aberrations of an optical system
- + Align optical systems to ensure that it works optimally
- + Predict the performance of optical systems in terms of focusing capability or imaging quality
- + Quantify the effects of temperature and gravity on system performance
- + Verify that the optics comply with specifications
- + Drive a wavefront corrector to correct for system aberrations
- + Check whether the optical mount overly distorts the optics

FEATURES

- + Beam collimation with an accuracy better than 200 m radius of curvature
- + A 20 mm focal length measurement with a sensitivity of 1 μm RMS
- + Direct wavefront acquisition of converging and diverging F/5 beams with an accuracy of $\lambda/100$ RMS including astigmatism and high-order aberrations
- + Control and adjustment of axial laser beam deviation better than 5 μrad RMS
- + ± 50 nm calibration bandwidth or extended wavelength range optional: $\pm 150\text{nm}$ around the calibration wavelength



SPECIFICATIONS*

OPERATING SPECS

Aperture dimension	4.5 x 3.7 mm ²
Number of microlenses	44 x 36
Maximum acquisition frequency	125 Hz (USB 3.0) or 30 Hz (GigE)
One wavelength ± 50 nm in the range	350 - 1100 nm
Minimum power	0.15 nW
External trigger TTL signal	TTL signal

OPERATING SYSTEM

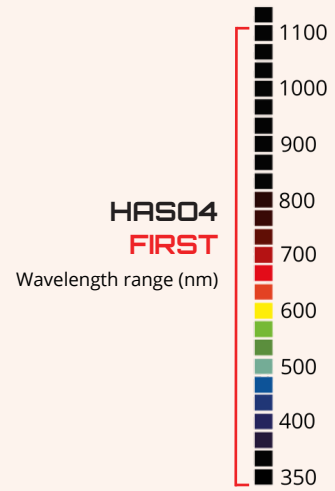
Windows 10

OPTICAL SPECS

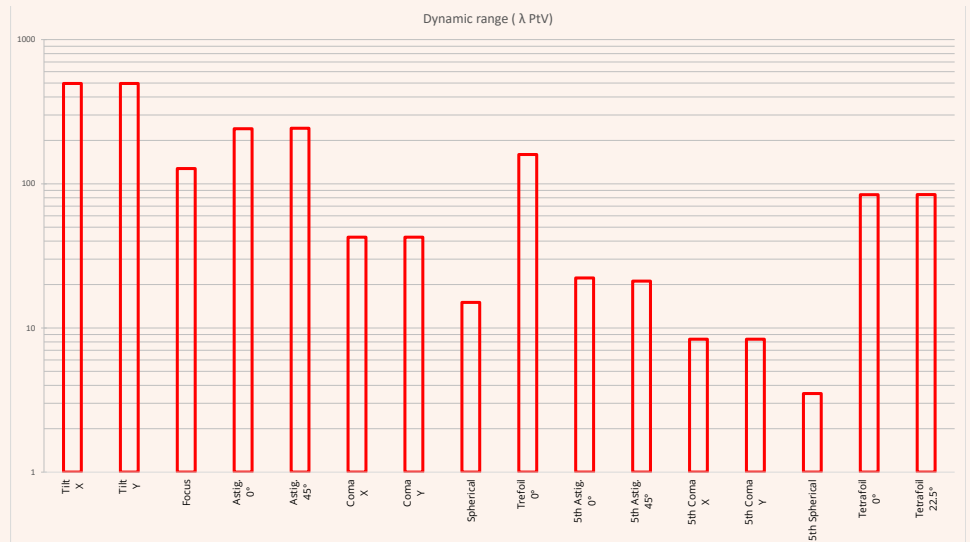
Repeatability	< λ/200 RMS
Absolute wavefront measurement accuracy	~ λ/100 RMS
Spatial sampling	~ 100 μm
Tilt dynamics range	> ± 3°
Focus dynamics range	± 0.008 m to ± ∞

MISC

Dimensions (Height x Width x Length)	42 x 47 x 60 mm ³ (USB 3.0)
Weight for USB version	200 g
Working temperature	15 - 30 °C
Interface	USB 3.0 or GigE
Power consumption	3.1 W

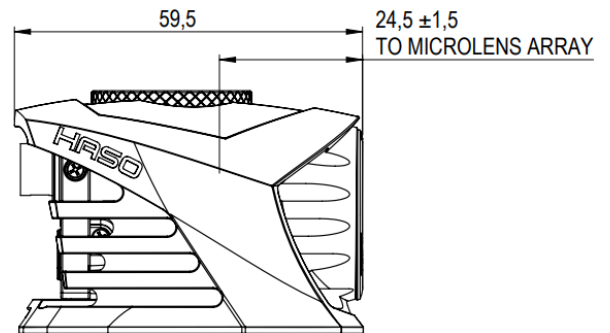
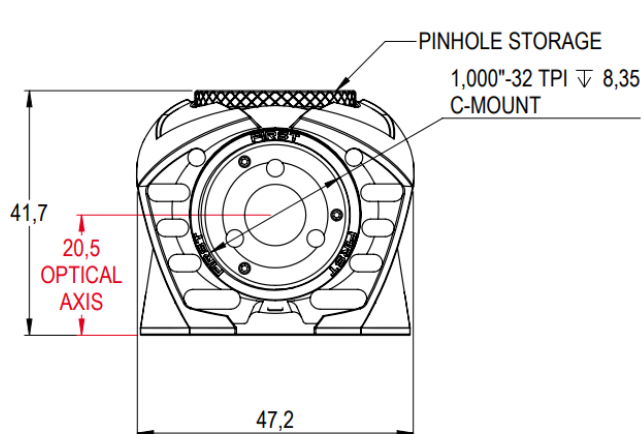


HASO4 FIRST
Dynamic range at λ = 635 nm



*Subject to changes without further notice

DIMENSIONS** (mm)



** USB 3.0 model

SOFTWARE

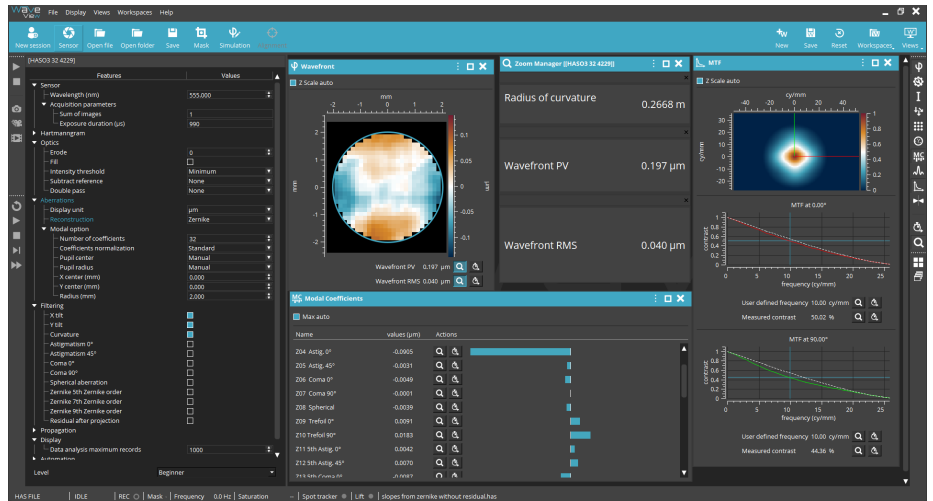
WAVEVIEW™ Metrology Software

WAVEVIEW™ is the most advanced wavefront measurement and analysis software.

It offers more than 150 features and tools optimized for a wide range of highly demanding applications.

Options :

- + Extensions for PSF, MTF and Strehl ratio
- + Optional SDK in C/C++, LabVIEW and Python



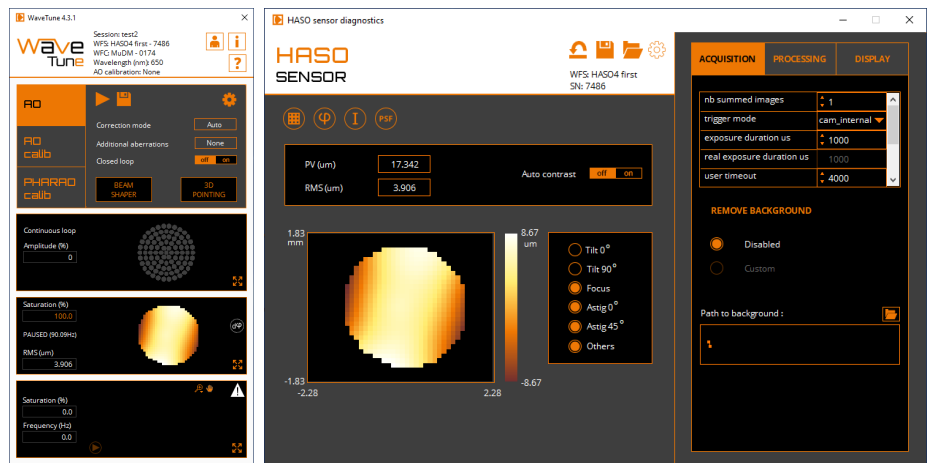
WAVETUNE™ Adaptive Optics Software

WAVETUNE™ is a unique software that seamlessly combines wavefront measurement and correction features with extensive instrument diagnostics.

It is perfectly adapted to our HASO wavefront sensors, ILAO STAR, MIRAO and mu-DM deformable mirrors, as well as to a wide range of active components.

Options :

- + Optional SDK in C/C++, LabVIEW and Python





光貿易株式会社

〒113-0034
東京都文京区湯島 3-13-8 湯島不二ビル 301号
TEL : 03-3832-3117 FAX : 03-3832-3118
e-mail : contact@hikari-trading.com
http://www.hikari-trading.com/

