



HASO4

126 BROADBAND

Wavefront sensor
The Hulk

From UV to IR
Large pupil
Alignment-free



 compatible



光貿易株式会社 〒113-0034 東京都文京区湯島3-13-8湯島不二ビル301
メール: contact@hikari-trading.com ウェブサイト: <http://www.hikari-trading.com>
TEL: 03-3832-3117 FAX: 03-3832-3118



HASO4 126 BROADBAND +

The HASO4 126 BROADBAND Shack-Hartmann wavefront sensor provides high-resolution combined with a large pupil and large band for unmatched precision and versatility.

This generation features the new SpotTracker™ technology. It provides absolute wavefront and tilt information, eliminating alignment requirements for faster and easier implementation.



Compatible with the **Optical Engineer Companion** modular system: easily combine the accessories you need.

APPLICATIONS

Successfully used in the most demanding applications in optical metrology, microscopy, and laser diagnostics, the HASO4 126 BROADBAND performs multiple functions:

- + Quantify the aberrations of optical systems
- + Align the system to ensure that it performs at its best
- + Predict the optical system's performance in terms of focusing capability (PSF) or imaging quality (MTF)
- + Quantify the effects of temperature and gravity on system performance
- + Verify that the optics comply with specifications
- + Directly measure the optical system's wavelength dependency
- + Pilot a wavefront corrector to change the system's aberrations
- + Check whether the optical mount overly distorts the optics

FEATURES

- + Easy wavefront measurement on the whole spectrum of the sensor: 350 - 1100 nm with no wavelength dependency
- + Easy setup on any beam size thanks to the large 13.8 x 10.2 mm² pupil
- + Direct wavefront acquisition of converging and diverging F/5 beams with an accuracy of $\lambda/100$ RMS, including astigmatism and high-order aberrations
- + Beam collimation with an accuracy better than 300 m radius of curvature
- + Control and adjustment of axial laser beam deviation better than 3 μ rad RMS



SPECIFICATIONS*

OPERATING SPECS

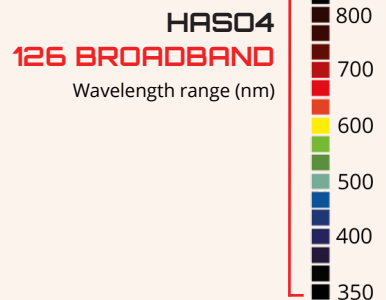
Aperture dimension	13.8 x 10.2 mm ²
Number of microlenses	170 x 126
Maximum acquisition frequency	30 Hz (USB 3.0) or 8 Hz (GigE)
Calibrated wavelength range	350 - 1100 nm
Minimum power	0.15 nW
External trigger	TTL signal
Operating system	Windows 10

OPTICAL SPECS

Repeatability	< $\lambda/200$ RMS
Absolute wavefront measurement accuracy	
• λ between 350-600 nm	≤ 6 nm RMS
• λ between 600-1100 nm	$\sim \lambda/100$ RMS
Spatial sampling	$\sim 80 \mu\text{m}$
Tilt dynamic range	$> \pm 3^\circ$
Focus dynamic range	± 0.010 m to $\pm \infty$

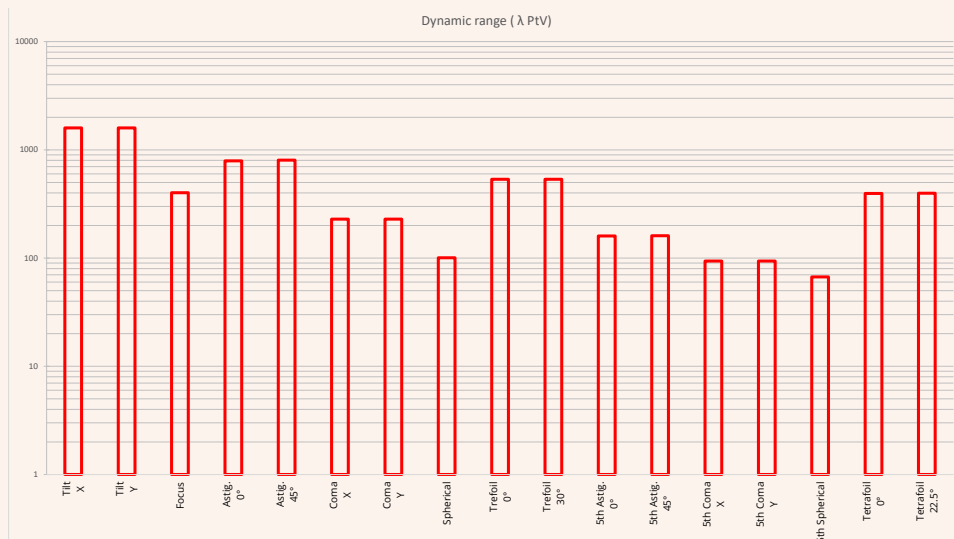
MISC

Dimensions (Height x Width x Length)	42 x 47 x 60 mm ³ (USB 3.0)
Weight for USB version	185 g
Working temperature	15 - 30 °C
Interface	USB 3.0 or GigE
Power consumption	3.6 W



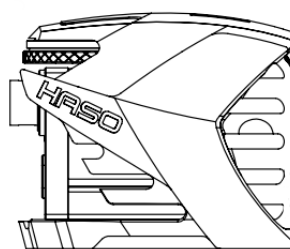
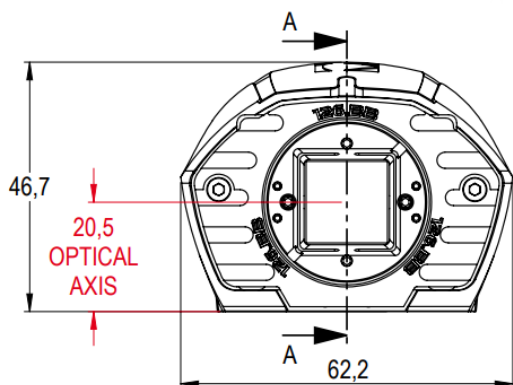
HASO4 126 BROADBAND

Dynamic range at $\lambda = 635$ nm



*Subject to changes without further notice

DIMENSIONS** (mm)



**USB 3.0 model

SOFTWARE

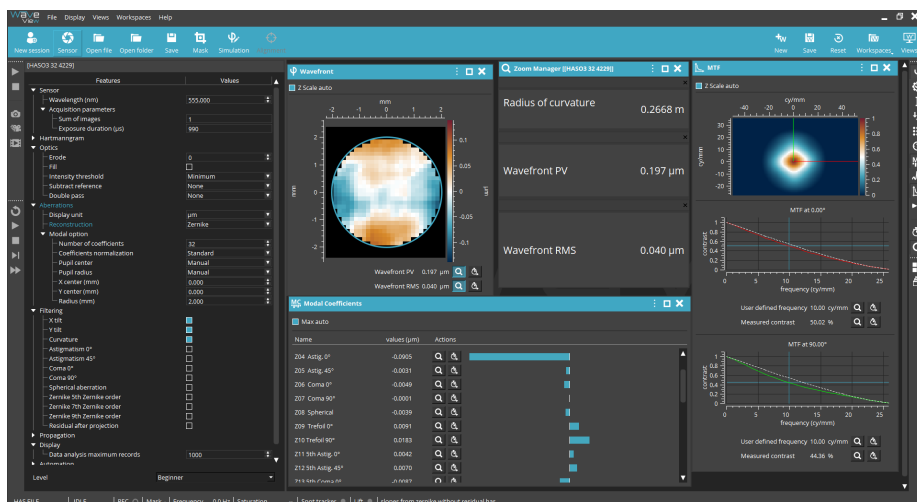
WAVEVIEW™ Metrology Software

WAVEVIEW™ is the most advanced wavefront measurement and analysis software.

It offers more than 150 features and tools optimized for a wide range of highly demanding applications.

Options :

- + Extensions for PSF, MTF and Strehl ratio
- + Optional SDK in C/C++, LabVIEW and Python



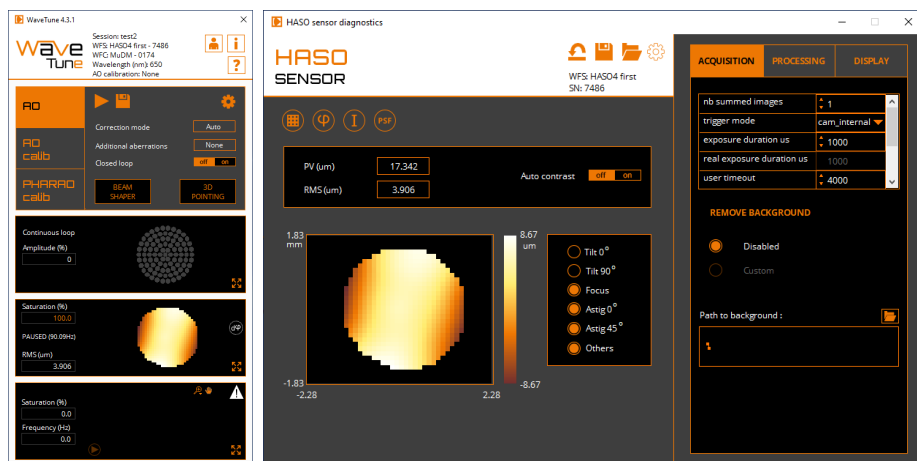
WAVETUNE™ Adaptive Optics Software

WAVETUNE™ is a unique software that seamlessly combines wavefront measurement and correction features with extensive instrument diagnostics.

It is perfectly adapted to our HASO wavefront sensors, ILAO STAR, MIRAO and mu-DM deformable mirrors, as well as to a wide range of active components.

Options :

- + Optional SDK in C/C++, LabVIEW and Python





光貿易株式会社

〒113-0034
東京都文京区湯島 3-13-8 湯島不二ビル 301号
TEL : 03-3832-3117 FAX : 03-3832-3118
e-mail : contact@hikari-trading.com
http://www.hikari-trading.com/

