

Coarse Wavelength Division Multiplexer – CWDM add & drop, 1 channel

Features

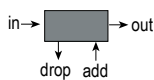
- Device functions as add and drop unit for one CWDM channel
- Micro-hybrid design in a sealed metal housing
- Epoxy-free optical path
- RoHS compliant per EU Directive 2002/95/EC
- Tested in accordance with Telcordia GR-1209/1221, central office

Applications

- Metro Core, Metro Access, Metro Enterprise, Cable TV, 3G Telephony (UMTS), Datacomm, WAN, RFTS
- Analog and digital transmission systems

Specifications

| Parameters | Coarse Wavelength Division Multiplexer – add & drop (all values refer to single mode) | | | |
|------------------------------------|---|----------|---------------------|--------------|
| Channels | 1 add & 1 drop channel | | | |
| Center Wavelength [nm] | choice of 1 wavelength within <u>one</u> band | | | |
| Band 1 (red band) | 1471 / 1491 / 1511 / 1531 / 1551 / 1571 / 1591 / 1611 | | | |
| Band 2 (blue band) | 1271 / 1291 / 1311 / 1331 / 1351 / 1371 / 1391 / 1411 / 1431 / 1451 | | | |
| | other wavelength upon request; please contact CUBO | | | |
| Optical Bandwidth | > 13 nm | | | |
| Insertion Loss ¹ | in -> out | < 1.5 dB | | |
| | in -> drop, add -> out | < 1.7 dB | | |
| Isolation | adjacent channel at drop port ² | > 30 dB | | > 60 dB |
| | non-adj. channel at drop port ² | > 40 dB | standard version | > 60 dB |
| | add channel at drop port ² | > 50 dB | | > 60 dB |
| | drop channel at out port ² | > 40 dB | | > 50 dB |
| | Isolation Spectral Range Band 1 (red) | | | 1460-1620 nm |
| | Isolation Spectral Range Band 2 (blue) | | | 1260-1460 nm |
| Return Loss ¹ | > 45 dB (50 dB typ.) | | | |
| Directivity | > 50 dB | | | |
| Polarization Dependent Loss | < 0.2 dB | | | |
| Max. optical power | 250 mW | | | |
| Operating Temperature | 0°C to 70°C (-40°C to 85°C on request) | | | |
| Storage Temperature | -40°C to 85°C (when removed from plastic package) | | | |
| Package Dimensions | 19 x 15.5 x 9 mm ³ | | | |



光貿易株式会社

〒113-0034 東京都文京区湯島3-13-8湯島不二ビル301

TEL:03-3832-3117 FAX:03-3832-3118

Email: t.ito@hikari-trading.com

¹ Within passband, valid over full temperature range and at all states of polarization but without connector losses.

² Only valid within Isolation Spectral Range

Coarse Wavelength Division Multiplexer – CWDM add & drop, 1 channel

Ordering Information

Please select an option from each configuration table and write the corresponding codes in the applicable boxes to create the part number.

Ordering example: CA-1-C-0-S-13-2-B-15

CA - - - - - 1 3 - - -

| no. of channels | code | optional features | code |
|-----------------|------|-------------------|------|
| 1 add & drop | 1 | None | 0 |
| | | High isolation | H |

| Center wavelength of add & drop channel | code |
|---|------|
| 1611 nm | A |
| 1591 nm | B |
| 1571 nm | C |
| 1551 nm | D |
| 1531 nm | E |
| 1511 nm | F |
| 1491 nm | G |
| 1471 nm | H |
| 1451 nm | I |
| 1431 nm | J |
| 1411 nm | K |
| 1391 nm | L |
| 1371 nm | M |
| 1351 nm | N |
| 1331 nm | O |
| 1311 nm | P |
| 1291 nm | Q |
| 1271 nm | R |

Band 1
Band 2

| housing | code | fiber type an packaging | code |
|---------------------|------|--|------|
| Standard add & drop | S | Corning SMF-28™ (9,125,250 μm) 900 μm loose tube | 1 |
| | | Corning SMF-28™ (9,125,250 μm) 250 μm coating | 2 |
| | | Multi mode fiber GI (50,125,250 μm) 900 μm loose tube | 3* |
| | | Multi mode fiber GI (50,125,250 μm) 250μm coating | 4* |

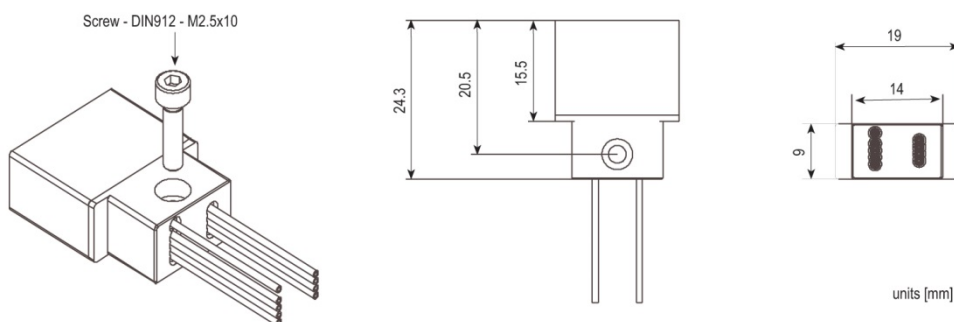
| Fiber length | code | Connector in/out | code |
|--------------|------|------------------|------|
| 0.5 m | A | none | 0 |
| 1 m | B | SC/PC | 1 |
| 0.3 m | T | FC/PC | 2 |
| 0.35 m | U | SC/APC** | 3 |
| 0.4 m | V | FC/APC** | 4 |
| | | LC/PC | 5 |
| | | MU/PC | 6 |
| | | E2000 | 7 |
| | | E2000/HRL** | 8 |
| | | ST/PC | 9 |

in/out put if the device is regarded as demultiplexer connectors only available in combination with loose tube fiber protection
** 8° angular polishing

* Configuration is not reflected by this datasheet.

Further configuration on request!

Standard Add & Drop housing



HUBER+SUHNER Cube Optics AG
Eindhoven-Allee 3
55129 Mainz, Germany

+49-6131-4995-100
sales.cubo@hubersuhner.com

www.hubersuhner.com
www.cubeoptics.com