

**SMD Driver  
VWA-23-D-7-SM**

**23Gbps 7V**

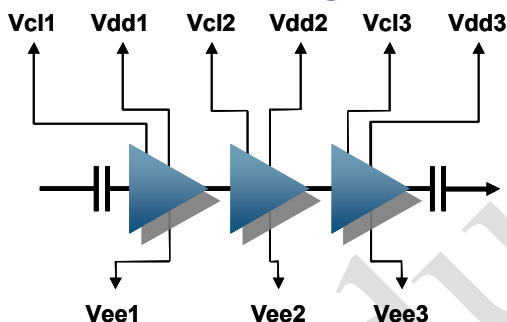
## Description

The **VWA 00085 AA** is a Surface Mount amplifier for driving Lithium Niobat MZ double modulator up to 28Gbps.

The module integrates a triple stage amplifier with output level and cross point control commands. Output voltage can be adjusted from 7Vpp (eye amplitude opening) to 3Vpp or less without cross point change.

The module integrates all the passives devices in the same package.

## Functional Block Diagram



## Ordering information

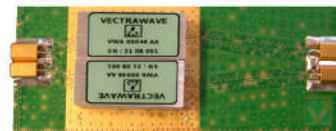
**Part Number:** VWA 00085 AA

## Main Features

- Data rate up to 23Gb/s
- 7Vpp eye opening
- Input amplitude: 350mV pp
- Independent Output level and cross point adjustment
- SMD
- Low power consumption 2.9W

## Applications

- D(Q)PSK
- 23 , 40 and 100Gbps



## Typical Characteristics

Electrical Parameters	Symbols	Min	Typ	Max	Units
High Frequency Response (-3 dB)	$BW_{high}$	20			GHz
Low Frequency Response (-3 dB)	$BW_{Low}$			50	kHz
Averaged max small signal gain	G	25	30		dB
Output Voltage max	$V_{pp-max}$	7	8		V
Output voltage control dynamic	$\Delta V_{out}$	3			dB
Rise time (20/80%)	$T_r$			12	ps
Fall time (20/80%)	$T_f$			12	ps
Added RMS Jitter	RMS Jitter			0,5	ps

Head Office : rue de la Croix Blanche - Immeuble LOGI - 78350 France

<http://www.vectrawave.com>

+33 (0)619 870 560

+33 (0)139 564 012

VWA 00085 AAxx DS Rev.0.2

VectraWave Proprietary information subject to change



**光貿易株式会社**

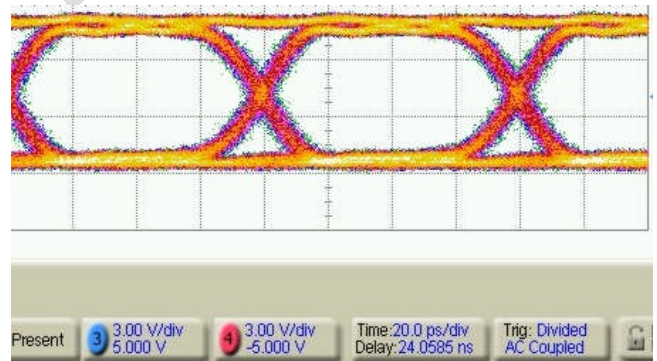
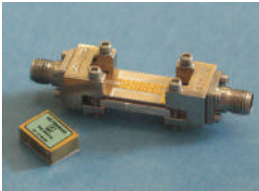
〒113-0034  
東京都文京区湯島 3-13-8 湯島不二ビル 301号  
TEL : 03-3832-3117 FAX : 03-3832-3118  
e-mail : contact@hikari-trading.com  
<http://www.hikari-trading.com/>

Environment Parameters	Symbols	Min	Typ	Max	Units
Operating temperature	T <sub>op</sub>	-5		+75	°C
Storage temperature	T <sub>std</sub>	-40		+85	°C

Power supply	Symbols	Min	Typ	Max	Units
Positive supply voltage 1	Vdd1		8		V
Positive supply current 1	Idd1		90		mA
Positive supply voltage 2	Vdd2		8		V
Positive supply current 2	Idd2		90		mA
Positive supply voltage 3	Vdd3		8		V
Positive supply current 3	Idd3		200		mA
Control voltage 1	Vcl1				V
Control current 1	Icl1				mA
Control voltage 2	Vcl2				V
Control current 2	Icl2				mA
Control voltage 3	Vcl3				V
Control current 3	Icl3				mA
Negative supply voltage 1	Vee1				V
Negative supply current 1	Iee1				mA
Negative supply voltage 2	Vee2				V
Negative supply current 2	Iee2				mA
Negative supply voltage 3	Vee3				V
Negative supply current 3	Iee3				mA

### Mechanical dimensions (mm) :

LxWxH = 20x9x6 mm



### Handling

These products are sensitive to electrostatic a static free workstation. Take precautions to surfaces and recognized anti-static techniques



discharge and should not be handled except at prevent ESD; use wrist straps, grounded work when handling the device.

Head Office : rue de la Croix Blanche - Immeuble LOGI - 78350 France

<http://www.vectrawave.com> ☎ + 33 (0)619 870 560 ☎ +33 (0)139 564 012

VWA 00085 AAxx DS Rev 0.2 VectraWave Proprietary information subject to change

**光貿易株式会社**  
 〒113-0034  
 東京都文京区湯島 3-13-8 湯島不二ビル 301 号  
 TEL : 03-3832-3117 FAX : 03-3832-3118  
 e-mail : contact@hikari-trading.com  
<http://www.hikari-trading.com/>