

# FD60

## 60 GHz Frequency Divider with selectable ratio

MICRAM

Type: Module	Technology: SiGe	$f_T / f_{max}$ : 170/250 GHz	Metallization: 4	Ref.-No.: R1029
--------------	------------------	-------------------------------	------------------	-----------------

### Brief description

The FD60 is a high-speed frequency divider with selectable output ratios for divided frequency and trigger output. Key features are:

- single-ended and differential IO operation,
- broadband operation,
- clock and trigger outputs available,
- adjustable output swing,
- single supply voltage,

The FD60 is a frequency divider which delivers a divided clock and a trigger signal for several applications. For both output signals the divider ratio can be separately selected.

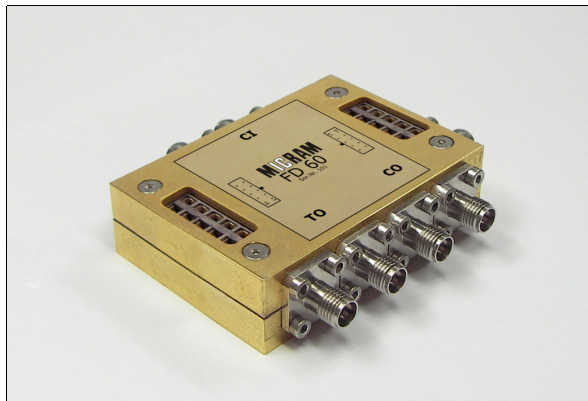
The module can easily be used for normal frequency division where the divider ration can be selected in the range of 2 to 256. Simultaneously the FD60 provides a second output (Trigger output) supporting the lower frequency range of the primary output.

In measurement tasks the FD60 offers easy handling, high flexibility and good signal quality.

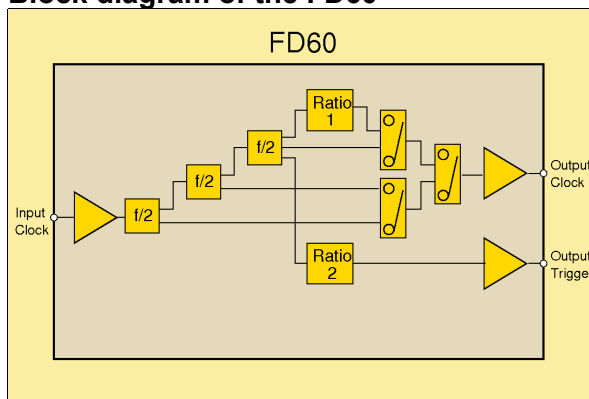
Selectable ratios of the different outputs:

Clock Output	Trigger Output
freq/2	freq/16
freq/4	freq/32
freq/8	freq/64
freq/16	freq/256
freq/32	
freq/64	
freq/256	

### FD60 Module



### Block diagram of the FD60



### FD60 electrical data

Power supply ( $V_{ee}$ )	-4.5 V
Current consumption	~0.5 A
max. Frequency	60 GHz
Input Clock (typical)	250 mV
Output Amplitudes	1 V differential

### Package

The FD60 is available as ruggedized K and/or V connectors Module.

For further information on the FD60 please contact your MICRAM sales representative.

Copyright 2009  
All rights reserved

Product specifications in this document are subject to change without notice.

MICRAM Microelectronic GmbH  
Test & Measurement Solutions

www.micram.com  
Tel.: +49-234-9708-300