

DMX1460

60 Gb/s 1:4 Demultiplexer

MICRAM

Type: Module	Technology: SiGe	f_T / f_{max} : 170/250 GHz	Metallization: 4	Ref.-No.: R1027
--------------	------------------	-------------------------------	------------------	-----------------

Brief description

The DMX1460 is a High-Speed 1:4 Demultiplexer for data rates up to 60 Gb/s. Key features are:

- single-ended and differential IO operation,
- broadband operation,
- clock/2 and clock/4 outputs available,
- adjustable output swing,
- single supply voltage

The DMX 1460 is a 1:4 DEMUX with integrated frequency divider. All IOs use fully symmetrical input/output buffers which can operate either in single-ended or differential mode. The DMX1460 is designed for input data rates up to 60 Gb/s and a corresponding half rate clock input up to 30 GHz.

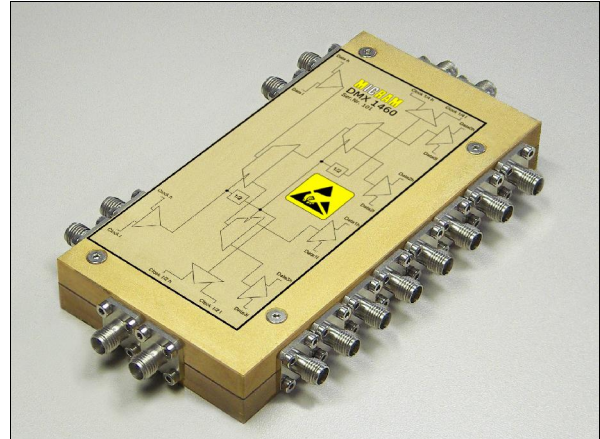
The module has two clock outputs providing full and half rate clock signals for the demultiplexed data outputs. The half rate clock output allows for easy connection of several DMX1460 modules to build higher order demultiplexer systems.

Package

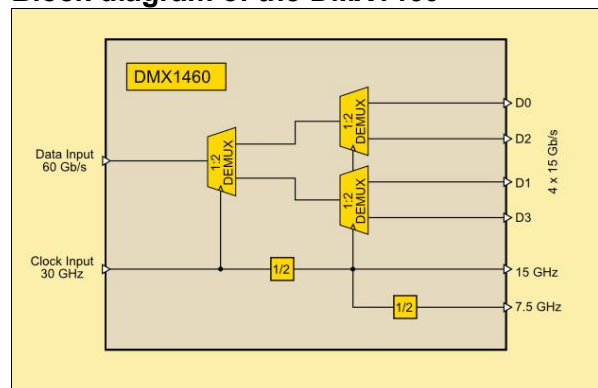
The DMX1460 is available as ruggedized K and/or V connectors Module.

For further information on the DMX1460 please contact your MICRAM sales representative.

DMX1460 Module



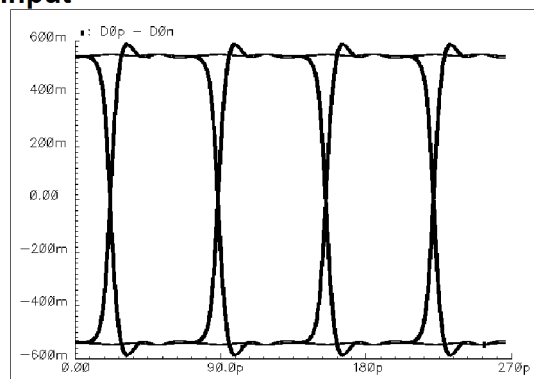
Block diagram of the DMX1460



DMX1460 electrical data

Power supplies	-4.5V
Current consumption	~ 660 mA
max. Datarate	60 Gb/s
Input data amplitude se	+30...300mV
Input clock (typical)	250mV

Simulated output signal with 60 Gb/s input



Copyright 2009
All rights reserved

Product specifications in this document are subject to change without notice.

MICRAM Microelectronic GmbH
Test & Measurement Solutions

www.micram.com
Tel.: +49-234-9708-300

 光貿易株式会社
〒113-0034
東京都文京区湯島3-13-8 湯島不二ビル301号
TEL: 03-3832-3117 FAX: 03-3832-3118
e-mail: contact@hikari-trading.com
<http://www.hikari-trading.com/>