

A-CUBE-Series High Sensitivity APD Detector Modules

Description

Laser Components' new A-CUBE range of APD modules has been designed for customers interested in experimenting with APDs. Featuring a low-noise silicon (or InGaAs) APD with matched preamplifier and integrated high voltage supply, the module offers everything needed to operate APDs easily and conveniently. In-built temperature compensation circuitry allows the APD to be operated at constant gain even if the ambient temperature changes. A ± 12 V DC supply is all that is needed to operate the module.

The optional FC connector provides a convenient method for connecting the detector to the sample using an optical fiber.

Custom designed modules and OEM versions are available on request.



Features

- High sensitivity
- Low noise
- Easy handling
- Compact
- RS-232 interface
- Fiber coupling (optional)

Applications

- APD evaluation
- Range finding / LIDAR
- Optical Communication Systems
- Spectroscopy
- Fluorescence
- Medical

Si-APD Modules

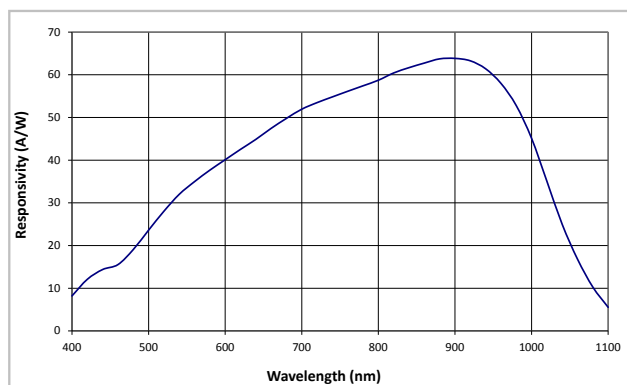
Generic Characteristics @ T = 25°C

	Min.	Typ.	Max.	Units
Wavelength Range	400		1100	nm
Peak Sensitivity		905		nm

Absolute Maximum Ratings

	Min.	Typ.	Max.	Units
Supply Voltage	±10	±12	±15	V
Operating Temperature	0		+50	°C
Storage Temperature	-20		+70	°C
Maximum incident light level (cw operation)			10	mW
Output Voltage (50 Ω) (typical)		+1.5		V
(1 MΩ) (typical)		+3		V

Fig. 1: Spectral Response @ M = 100

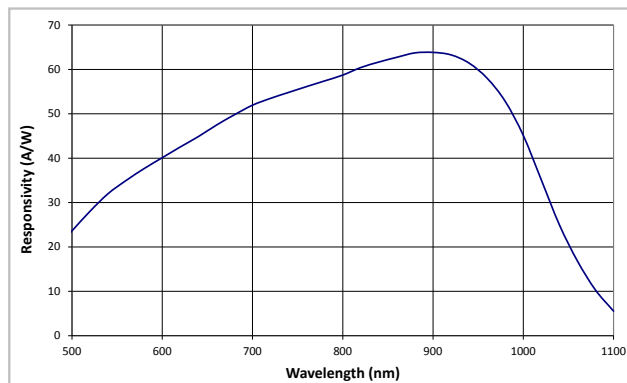


Technical Specifications for 0.5 mm A-CUBE (typical values @ M = 100, 25°C)

Part Number	A-CUBE-S500-01	A-CUBE-S500-03	A-CUBE-S500-10	A-CUBE-S500-25	A-CUBE-S500-100	A-CUBE-S500-240	Units
Si-APD	SAR500	SAR500	SAR500	SAR500	SAR500	SAR500	
Active Area Diameter	0.5	0.5	0.5	0.5	0.5	0.5	mm
Wavelength Range	400 - 1000	400 - 1000	400 - 1000	400 - 1000	400 - 1000	400 - 1000	nm
Peak Sensitivity	905	905	905	905	905	905	nm
Bandwidth	DC - 1	DC - 3	DC - 10	DC - 25	0.01 - 100	0.01 - 240	MHz
Responsivity							
540 nm	270	27	2.7	0.27	1.50	0.54	MV/W
650 nm	400	40	4	0.4	2.20	0.80	MV/W
905 nm	500	50	5	0.5	2.70	1.00	MV/W
NEP							
540 nm	11	11	55	150	70	75	fW/rtHz
650 nm	7.5	7.5	37.5	100	45	50	fW/rtHz
905 nm	6	6	30	80	40	40	fW/rtHz
Output Noise Density	3000	300	150	40	100	40	nV/rtHz
Input Referred Noise Density (maximum)	0.3	0.3	1.5	4	2	2	pA/rtHz

Note: Noise measured at 100 kHz.

Fig. 2: Spectral Response @ M = 100



Technical Specifications for 1.5 mm A-CUBE (typical values @ M = 100, 25°C)

Part Number	A-CUBE-S1500-01	A-CUBE-S1500-03	A-CUBE-S1500-10	A-CUBE-S1500-25	Units
Si-APD	SAR1500	SAR1500	SAR1500	SAR1500	
Diameter	1.5	1.5	1.5	1.5	mm
Wavelength Range	400 - 1000	400 - 1000	400 - 1000	400 - 1000	nm
Peak Sensitivity	905	905	905	905	nm
Bandwidth *	DC - 1	DC - 3	DC - 10	DC - 25	MHz
Responsivity					
540 nm	270	27	2.7	0.27	MV/W
650 nm	400	40	4	0.4	MV/W
905 nm	500	50	5	0.5	MV/W
NEP					
540 nm	11	37	55	150	fW/rHz
650 nm	7.5	25	37.5	100	fW/rHz
905 nm	6	20	30	80	fW/rHz
Output Noise Density	3000	1000	150	40	nV/rHz
Input Referred Noise Density (maximum)	0.3	1	1.5	4	pA/rHz

Note: Noise measured at 100 kHz.

A-CUBE1500-01 and A-CUBE1500-03 will saturate with high background light levels due to their very high sensitivity.

Operation in environments with high background levels (e.g. daylight) is therefore not recommended.

* Custom versions up to 240 MHz are available on request.

Technical Specifications for 3 mm A-CUBE (typical values @ M = 100, 25°C)

Part Number	A-CUBE-S3000-01	A-CUBE-S3000-03	A-CUBE-S3000-10	A-CUBE-S3000-25	Units
Si-APD	SAR3000	SAR3000	SAR3000	SAR3000	
Diameter	3	3	3	3	mm
Wavelength Range	400 - 1000	400 - 1000	400 - 1000	400 - 1000	nm
Peak Sensitivity	905	905	905	905	nm
Bandwidth *	DC - 1	DC - 3	DC - 10	DC - 25	MHz
Responsivity					
540 nm	270	27	2.7	0.27	MV/W
650 nm	400	40	4	0.4	MV/W
905 nm	500	50	5	0.5	MV/W
NEP					
540 nm	15	37	55	225	fW/rHz
650 nm	11	25	38	150	fW/rHz
905 nm	9	20	30	120	fW/rHz
Output Noise Density	4000	1000	150	6	nV/rHz
Input Referred Noise Density (maximum)	0.4	1	1.5	6	pA/rHz

Note: Noise measured at 100 kHz.

A-CUBE3000-01 and A-CUBE3000-03 will saturate with high background light levels due to their very high sensitivity.

Operation in environments with high background levels (e.g. daylight) is therefore not recommended.

* Custom versions up to 240 MHz are available on request.

InGaAs-APD Modules

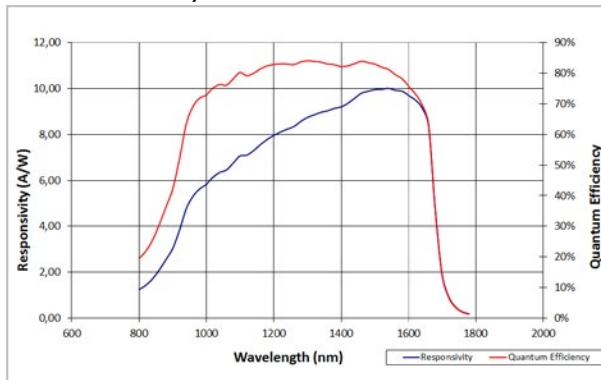
Generic Characteristics @ T = 25°C

	Min.	Typ.	Max.	Units
Wavelength Range	1000		1700	nm
Peak Sensitivity		1550		nm

Absolute Maximum Ratings

	Min.	Typ.	Max.	Units
Supply Voltage	±10	±12	±15	V
Operating Temperature	0		+50	°C
Storage Temperature	-20		+70	°C
Maximum incident light level (cw operation)			10	mW
Output Voltage (50 Ω) (typical)			+1.6	V
(1 MΩ) (typical)			+2.5	V

Fig. 3: Spectral Response and Quantum Efficiency (M= 10 @ 1550 nm)

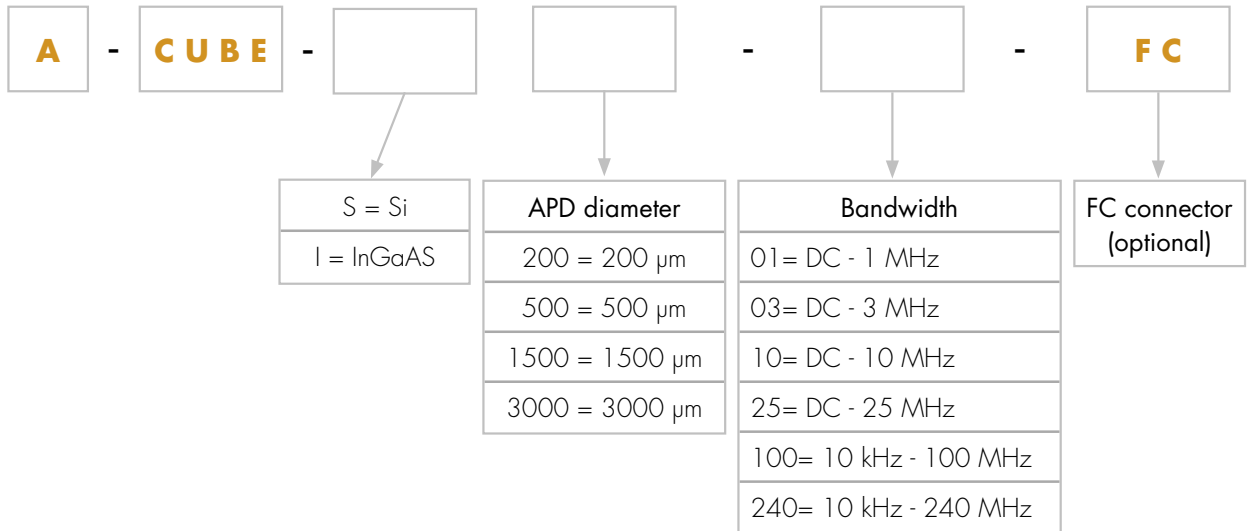


Technical Specifications for 200 μm A-CUBE-Module (typical values @ $M = 10$, 25°C)

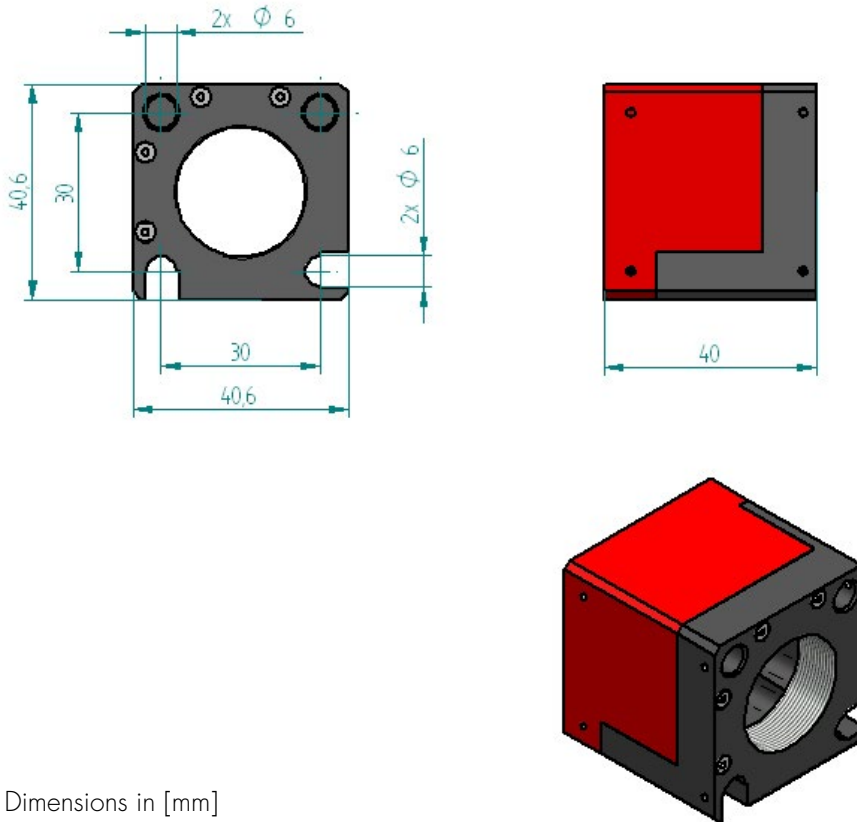
Part Number	A-CUBE- I200-01	A-CUBE- I200-03	A-CUBE- I200-10	A-CUBE- I200-25	A-CUBE- I200-100	A-CUBE- I200-240	Units
InGaAs-APD	IAG200	IAG200	IAG200	IAG200	IAG200	IAG200	
Diameter	200	200	200	200	200	200	μm
Wavelength Range	900 - 1700	900 - 1700	900 - 1700	900 - 1700	900 - 1700	900 - 1700	nm
Peak Sensitivity	1550	1550	1550	1550	1550	1550	nm
Bandwidth	DC - 1	DC - 3	DC - 10	DC - 25	0.01 - 100	0.01 - 240	MHz
Responsivity 1550 nm	94	9.4	0.94	0.094	0.50	0.19	MV/W
NEP 1550 nm	32	64	160	425	0.25	0.30	fW/rtHz
Output Noise Density	3000	600	150	40	100	50	nV/rtHz
Input Referred Noise Density (maximum)	0.3	0.6	1.5	4	2	3	pA/rtHz

Note: Noise measured at 100 kHz.

Product Number Designations



Package Drawings



Dimensions in [mm]

PIN Configuration

P1 HV bias voltage adjustment
P2 R_{TK} temperature compensation adjustment

M9	1	GND	
	2	+ V_{op}	Operating voltage +12 V/300 mA
	3	R x D	Receive input (RS 232)
	4	- V_{op}	Operating voltage -12 V/300 mA
	5	T x D	Transmit output (RS 232)

