

# POLARIZATION MANAGEMENT MODULES

## Fully Connectorized Polarization Controller – PolaRITE™



This is a fully connectorized polarization controller that comes with either male (PLC-005) or female (PLC-004) connectors, thus eliminating the headaches of fiber pigtailed. Customers can use the bulkhead connectors of their choice. Although the unit comes with FC type connectors, it can interface with ST and SC type connectors with industry standard FC/ST or FC/SC adapters. The device is especially suitable for interconnecting polarization maintaining (PM) fibers using standard connectors without having to align the birefringent axes of the PM fibers. Optional scales allow easy replication of earlier settings, a feature highly desirable in laboratories for repeating polarization adjustments.

### Specifications:

Insertion Loss	< 0.5 dB with connectors
Return Loss	> 55 dB for APC connectors, > 45 dB for PC connectors
Operating Wavelength	480 nm, 633 nm, 780 nm, 820 nm, 980 ~ 1550 nm, 1260 ~ 1650 nm
Extinction Ratio	> 40 dB
Operating Temperature	-40 ~ 85 °C
Storage Temperature	-40 ~ 85 °C
Dimensions	1.00" × 1.09" × 4.00" (W × H × L)

### Features:

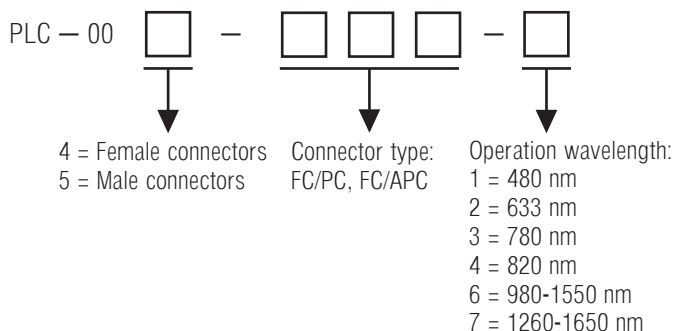
- Low loss
- Low back reflection
- Compact
- Easy to connect
- Low cost
- Insensitive to wavelength variations
- Works with fibers of any size

### Applications:

- High speed telecommunication systems
- WDM systems
- CATV systems
- Fiber laser
- Fiber sensor systems
- PM fiber systems
- Antenna remoting systems

Tech Info: p. 93  
App note: p. 125

### Ordering Information:



See page 49 for drop-in polarization controller,  
page 48 for pigtailed polarization controller

### Dimensions:

