

Coarse Wavelength Division Multiplexer – CWDM mux & demux, 4 channels, mux & demux in one single housing

Features

- 4 channel mux and 4 channel demux integrated in a single housing (separated mux or demux on request)
- Upgrade channel, integrated bandsplitters and tap ports on request
- Micro-hybrid construction in a sealed metal housing
- Epoxy-free optical path, ITU G.694.2 and Telecording GR1221 compliant
- Extremely small component dimensions: 19 x 15.5 x 9 mm³, other dimensions on request
- Flexible Location of Fiber Ports, for details see Products page
- Also available as integrated Patch Cord CWDM for flexible system configurations to enable multiplexing without using any board space
- Single mode and multi mode fibers possible, fiber packaging: loose tube or 250 μm coating
- Packaging on line card or in CWDM sub-system for rack mounting on request

Applications

- Combines / separates up to 4 channels with a 20 nm spacing
- Metro Core, Metro Access, Metro Enterprise, Cable TV, 3G Telephony (UMTS), Datacomm, WAN, RFTS, Sensor Applications
- Analog and digital transmission systems

Specifications

Parameters	Coarse Wavelength Division Multiplexer – mux & demux (all values refer to single mode)	
Channels	4 channel mux & 4 channel demux	
Center Wavelength [nm]	choice of 4 wavelengths within <u>one</u> band	
Band 1 (red band)	1471 / 1491 / 1511 / 1531 / 1551 / 1571 / 1591 / 1611	
Band 2 (blue band)	1271 / 1291 / 1311 / 1331 / 1351 / 1371 / 1391 / 1411 / 1431 / 1451	
	Upgrade: remaining wavelengths of band other wavelength upon request; please contact CUBO	
Optical Bandwidth	> 13 nm (higher bandwidth on request)	
Insertion Loss *	4 channel CWDM	< 1.9 dB (premium versions available)
Link Loss* for mux – demux pair	< 3.8 dB	
Isolation **	adjacent channel	> 30 dB
	non-adjacent channel	> 40 dB
	Isolation Spectral Range Band 1 (red)	1460-1620 nm
	Isolation Spectral Range Band 2 (blue)	1260-1460 nm
Return Loss *	> 45 dB (50 dB typ.)	
Directivity (for mux)	> 50 dB	
Polarization Dependent Loss	< 0.2 dB	
Max. optical power	250 mW	
Operating Temperature	0°C to 70°C (-40°C to 85°C on request)	
Storage Temperature	-40°C to 85°C (when removed from plastic package)	
Package Dimensions	19 x 15.5 x 9 mm ³	

* With passband, valid over full temperature range and at all states of polarization but without connector losses.

** Valid over full temperature range and at all wavelengths across the channel.

Additional components according to your specifications on request! Please contact us for further details.



光貿易株式会社

〒113-0034 東京都文京区湯島3-13-8湯島不二ビル301

TEL:03-3832-3117 FAX:03-3832-3118

Email: t.ito@hikari-trading.com

Coarse Wavelength Division Multiplexer – CWDM

mux & demux, 4 channels, mux & demux in one single housing

Ordering Information

Please select an option from each configuration table and write the corresponding codes in the applicable boxes to create the part number.

Ordering example: **CMD-40-A-0-S-12-1-B-15**

CMD - - - - - - 1 2 - - -

no. of channels	code
4	40

optional features	code
none	0

no. of channels	code
4	40

center wavelengths [nm]	code
1511 / 1531 / 1551 / 1571	A
1471 / 1491 / 1591 / 1611	B
1271 / 1291 / 1311 / 1331	C
1351 / 1371 / 1391 / 1411	D
1551 / 1571 / 1591 / 1611	E
1471 / 1491 / 1511 / 1531	F

housing	code
Standard 4 channel	S*

Fiber length	code
0.5 m	A
1 m	B

connector in/out	code
none	0
SC/PC	1
FC/PC	2
SC/APC**	3
FC/APC**	4
LC/PC	5
MU/PC	6
E2000	7
E2000/HRL**	8
ST/PC	9

fiber type and packaging	code
Corning SMF-28™ (9,125,250 μm) 900 μm loose tube	1
Corning SMF-28™ (9,125,250 μm) 250 μm coating	2
Multi mode fiber GI (50,125,250 μm) 900 μm loose tube	3*
Multi mode fiber GI (50,125,250 μm) 250 μm coating	4*
Multi mode fiber GI (62.5,125,250 μm) 900 μm loose tube	5*
Multi mode fiber GI (62.5,125,250 μm) 250 μm coating	6*

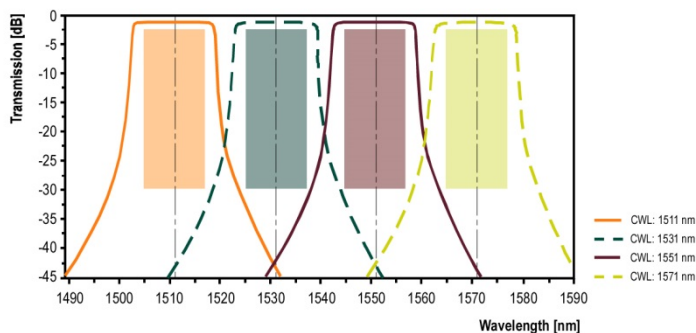
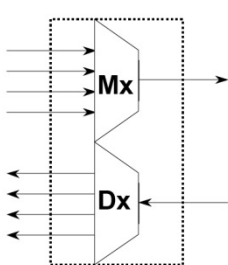
in/out put if the device is regarded as demultiplexer connectors only available in combination with loose tube fiber protection
** 8° angular polishing

* Configuration is not reflected by this datasheet.

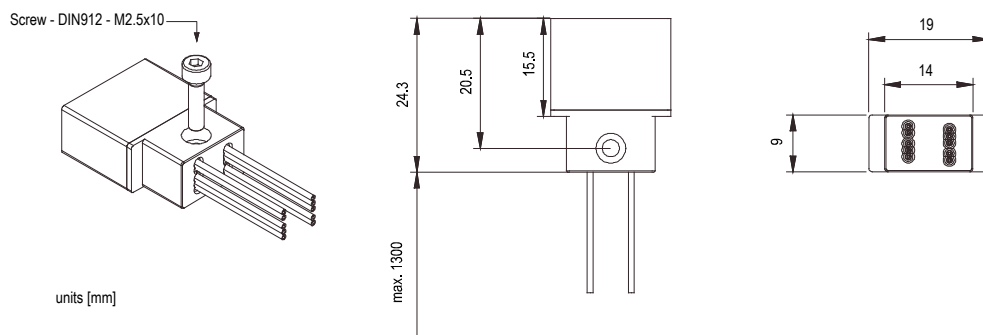
Further configuration on request!

Port Configuration and Spectral Performance

Port Configuration



Standard 4 channel mux & 4 channel demux housing



HUBER+SUHNER Cube Optics AG
Eindhoven-Allee 3
55129 Mainz, Germany

+49-6131-4995-100
sales.cubo@hubersuhner.com

www.hubersuhner.com
www.cubeoptics.com