

COLOR CUBE

> LAN-WDM-MUX-8 (Preliminary)

C-2897_Rev.A

Product Description

- Passive WDM component that works as a multiplexer or demultiplexer
- LAN-WDM multiplexers to multiplex and de-multiplex 8 LAN-WDM channels as according to 400GBASE LR8/ FR8 supporting IEEE 802.3bs standard
- Micro-hybrid design in a sealed metal housing
- Epoxy free optical path
- RoHS compliant per EU Directive 2002/95EC
- UL 94 V0 flammability rating
- Tested in accordance with Telcordia GR-1209/1221, uncontrolled environment

- Product Description: COLOR CUBE LAN-WDM-MUX-8
- Product Code: C-2897
- Grade: -S (Standard Insertion Loss)
- Fiber Length: -A (choose from table)
- Connector Code: XY (choose from table)
- Revision Level: -Rev.A

Fiber Length (m)	Code
>0.5	A
1.0	B

Connector (XY) common/channel	Code
none	0
SC/PC	1
FC/PC	2
SC/APC*	3
FC/APC*	4
LC/PC	5
LC/APC*	B

Example Order Code: **C-2897-S-B11-Rev.A** for a 8 channel LAN-WDM with standard Insertion Loss, 1m fiber length and SC/PC on all ports.



* 8° angular polishing

Revision History

No	Description	Date	Created by
A	Initial release	07.02.2017	Susmita Adhikari

General Specifications

Operating Temperature	-5°C to +75°C
Storage Temperature	-40°C to +80°C
Max. optical Power	< 300 mW
Fiber Type	SMF-28 compatible \varnothing 9 / 125 / 250 μ m with 900 μ m loose tube
Optical Adapters	All ports to be selected by customer via order code

COLOR CUBE

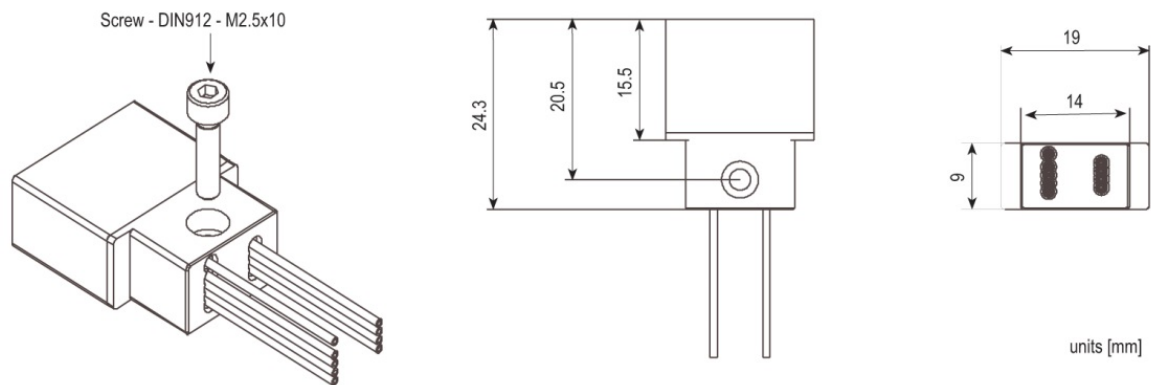
> LAN-WDM-MUX-8 (Preliminary)

C-2897_Rev.A

Optical Performance

Number of channels	8		
Operating channel L0-L7	1273.55 / 1277.89 / 1282.26 / 1286.66/ 1295.56 / 1300.05 / 1304.58 / 1309.14 nm		
Channel Width	(According to IEEE 802.3bs 400G LR8/ FR8, extended LAN-WDM)		
L0	1272.55 - 1274.54 nm		
L1	1276.89 - 1278.89 nm		
L2	1281.25 - 1283.28 nm		
L3	1285.65 - 1287.69 nm		
L4	1294.53 - 1296.59 nm		
L5	1299.02 - 1301.09 nm		
L6	1303.54 - 1305.63 nm		
L7	1308.09 - 1310.19 nm		
Insertion Loss	max ¹	typical ²	
Standard (S)	< 3.4 dB	2.5 dB	
Isolation ³			
WDM adjacent channels	> 25 dB		
WDM non-adjacent channels	> 35 dB		
Optical Return Loss	> 45 dB (for the component, also depends on connectors)		
Directivity	> 50 dB		
Polarization Dependent Loss	< 0.5 dB		

Package Dimensions



HUBER+SUHNER Cube Optics AG
is certified according to ISO 9001.

WAIVER

It is exclusively in written agreements that we provide our customers with warrants and representations as to the technical specifications and/or the fitness for any particular purpose. The facts and figures contained herein are carefully compiled to the best of our knowledge, but they are intended for general informational purposes only.

HUBER+SUHNER Cube Optics AG
Eindhoven-Allee 3
55129 Mainz
Germany

phone: +49-6131-4995-100
fax: +49-6131-4995-179
sales.cubo@hubersuhner.com

www.hubersuhner.com
www.cubeoptics.com

¹ Max. insertion loss over channel bandwidth, valid over full operating temperature range and all states of polarization including optical connectors. The typical connector loss is 0.4 dB for a pair of connectors

² Typical insertion loss is defined as typical value over channel bandwidth, full operating temperature range and all states of polarization including optical connectors. Typical values have been derived with statistical methods from actual production data to reflect the majority of cases.

³ For demux only.