

CWDM OEO converter (plug and play)

ACCELINK TECHNOLOGIES CO.,LTD.



The Coarse Wavelength Division Multiplexing (CWDM) fiber optics converter can multiplex eight different wavelengths (20nm spacing) into one fiber and to be demultiplexed at the other end of the fiber, what's more, it supports various of systems such as Fast Ethernet, Gigabit Ethernet, Fiber Channel, STM-1/4/16. So, for cable-shortage areas, the converter provides a very powerful solution, and a cost-effective alternative to CWDM for short or medium distances. It's usually used with a DEMUX.

Features

- Cost-effective solution
- Operating channels available in 2 ~ 8 wavelength configuration
- Protocol Transparent, and support network topologies such as point to point, point to multi-points, ring

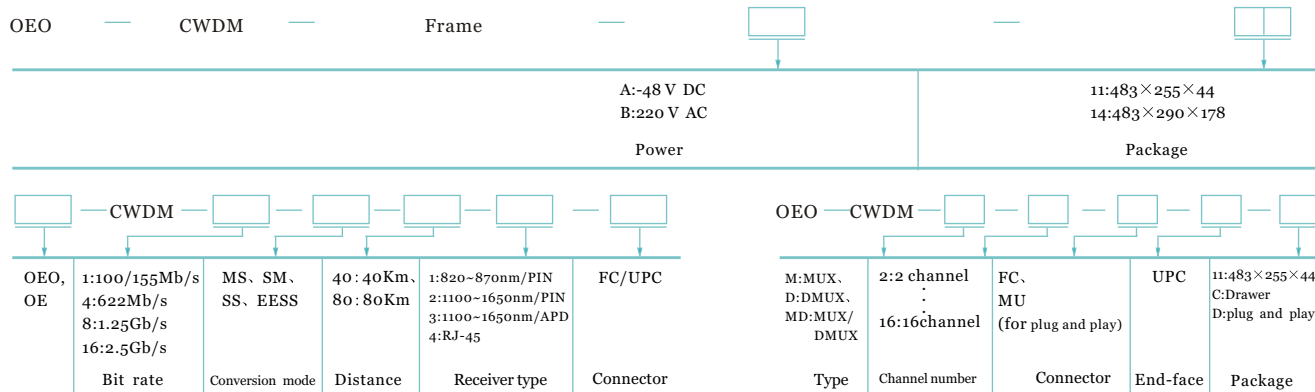
Applications

- Metro/Access Transport Networks
- Data system
- SDH system
- PDH, ATM system

Specifications

Parameter		Unit	Value		
			Min.	Typ.	Max.
Bit rate			100Mb/s		2.5Gb/s
Output power level per channel		dBm	-5		+4
Extinction ratio		dB	8.2		
SMSR		dB	30		
Centre wavelength		nm	ITU-T G.694.2 defined wavelength		
Wavelength temperature drift		nm/°C	0.08		
Spectral width(-20dB)		nm			1
Input power level	PIN	100/155Mb/s	dBm	-37	-3
		1.25Gb/s	dBm	-21	-3
		2.5Gb/s	dBm	-18	-3
	APD	2.5Gb/s	nm	-28	-8
Receiver optical wavelength range		°C	1100		1650
Operating temperature /storage temperature		V	0~50/-40~+85		
Power supply		mm	220 AC or -48 DC		
Package			19inch 1U(483×255×44) or 4U(483×290×178)		

Ordering information



Note: MS(single direction multi-mode to single-mode convertor)
SM(single direction single-mode to multi-mode convertor)
SS(single direction single-mode to single-mode convertor)
EESS(rj45 to single mode convertor, only for oe)